

Project:

Item:

Quantity:

MEGA D-660

VACUUM PACKAGING MACHINE



Optional without extra costs: 2 seal bars (left-right)

FEATURES

- Standard with 2 seal bars (front-back): 2 x 25,98 inch
- Optional without extra costs: 2 seal bars (left-right 34,65 inch)
- Standard double seal (two wires). Optional without extra costs: Cut-off or Wide seal (0,39 inch)
- Silicone holders easily removable for cleaning and maintenance purposes
- Pump capacity: 6709 cf/h (190 m3/h)
- Pump maintenance and cleaning program
- Machine cycle: 15-40 sec
- Standard Digital control with 10 program memory and Time control
- Flat work plate
- Comes with 1 layer of insert plates for a faster cycle and product adjustment
- Stainless steel exterior
- 16ft cord with NEMA 1450P plug – 50A/250V

OPTIONS

- 4,237 cf/h (120 m3/h) pump
- 1-2 Cut-off seal
- Sensor control
- Liquid control
- Gas flush (incl. pressed air connection)
- Soft Air to protect the product and vacuum bag

ACCESSORIES

- Inclined insert plate
- 2nd layer of insert plates
- Service kit for standard maintenance

DESCRIPTION

The robust, stainless steel MEGA D-660 vacuum packaging machine has a specific construction of both the lid and the work plate. This results in longer seal bars compared to other series. This double chamber floor model is standard equipped with a Busch vacuum pump and complies with CE and ETL standards.

WARRANTY

Pack 3000 offers a warranty of 1 year on labor and 3 years on parts. For full warranty details, please refer to www.pack3000.com.



DATE

APPROVAL



PACK 3000
Sales and technical support

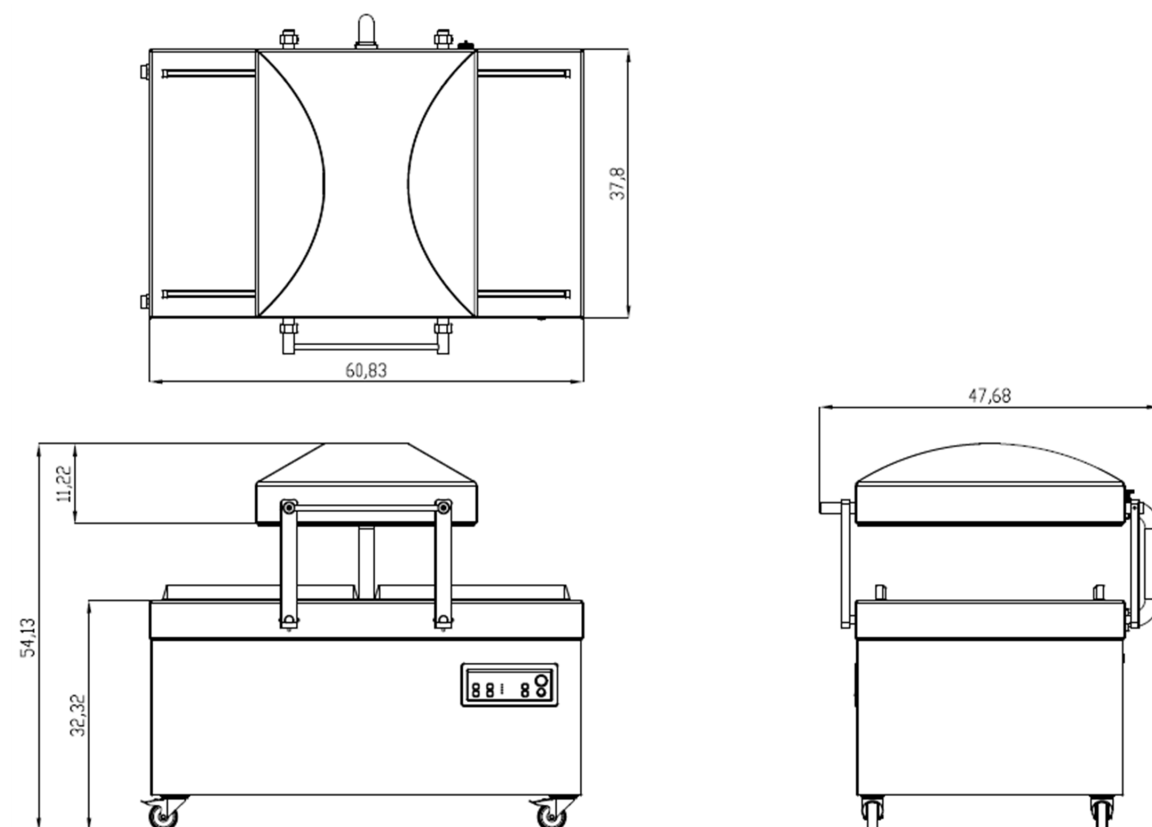
info@pack3000.com

VACUUM PACAGKING MACHINE MEGA D-660 – SPECS

VACUUM PACKAGING MACHINE MEGA D-660 – SPEC SHEET

DIMENSIONS

In inches



Model	Dimensions (inches)		Volts	Amps	Hz	Pump capacity	HP	Plug	Weight (lbs)
	Chamber L x W x H (usable space in inch)	Machine L x W x H (in inch)							
Mega D-660	29,92 x 25,98 x 11,02	47,68 x 60,83 x 54,13	208- 220V	38	60Hz	6,709 cf/h (190 m3/h)	10.1	NEMA 14- 50P 50A/250V	1.018 (with pump 190 m3/h)



NEMA 14-50P
50A/250V

3 pole, 4 wire grounding 3 x 208 Volt

Pack3000

PACK 3000
Sales and technical support

sales@pack3000.com