



Project:

Item:

Quantity:

DIPTANK MEGA ST6050 - SPEC SHEET

MEGA ST6050

DIPTANK



FEATURES

- Digital temperature control
- Hydraulic movement
- Stainless steel housing
- Optimal hygiene
- Various dimensions
- Maximal loading capacity: 132 lbs
- Machine dimensions: 30.3 x 31.1 x 52"
- Chamber dimensions: 19.7 x 23.6 x 8.7"
- Dipping depth: 8.7"
- Cycle time: 3-5 seconds
- Power: 12 HP
- Voltage: 220V-3-60

OPTIONS AND ACCESSORIES

- Isolation balls prevent evaporation

DESCRIPTION

Combined with a vacuum packaging machine, the MEGA ST6050 produces perfect skin packages for an aesthetic presentation. Shrink technology protects your product like a second skin.



WARRANTY

Pack 3000 offers a warranty of 1 year on labor and 3 years on parts. For full warranty details, please refer to www.pack3000.com

DATE

APPROVAL



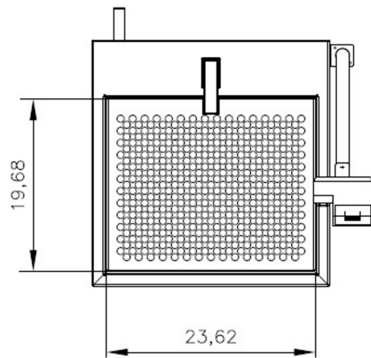
PACK 3000
Sales and technical support

sales@pack3000.com

DIPTANK MEGA ST6050 – SPECS

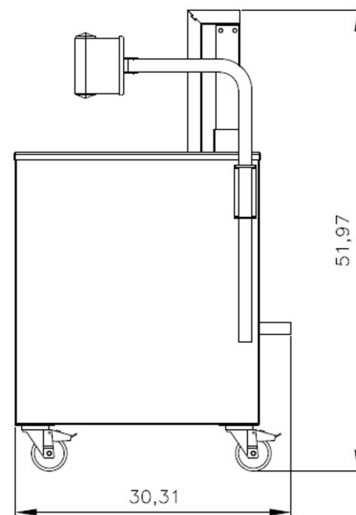
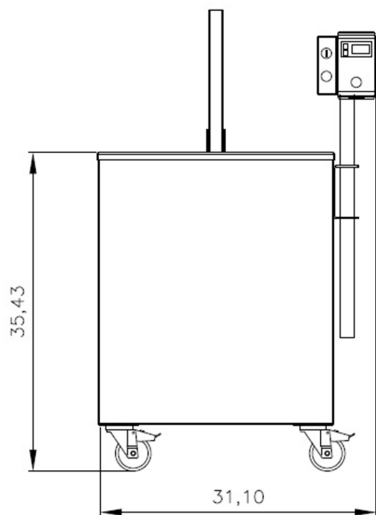
DIMENSIONS

In inches



OUTER DIMENSIONS

(measurement in INCH)



Model	Dimensions (inches)		Volts	Amps	Hz	Pump capacity	HP	Plug	Weight (lbs)
	Chamber (usable space) LxWxH	Machine LxWxH							
Mega ST6050	19.7"x23.6"x8.7"	30.3"x31.1"x52"	220-230V	25	60Hz	-	12	-	265

3 pole, 4 wire grounding 3 x 220 Volt



PACK 3000
Sales and technical support

sales@pack3000.com