



Project:
Item:
Quantity:

**MEGA T-420 / MEGA T-420/2
VACUUM PACKAGING MACHINE**



FEATURES

- Seal bar length: 16.5"
- Seal bar length: 16.5"x 2 (Mega T-420/2)
- Seal bar with two wires, for double security
- Seal bar easily removable for cleaning and maintenance purposes
- Pump capacity: 678 cf/h (19 m³/h) Busch vacuum pump
- Pump maintenance and cleaning program
- Machine cycle: 20-40 sec
- Time control: 1-99 sec
- Transparent lid, which opens automatically after every cycle
- Deep drawn vacuum chamber
- Comes with insert plates for a faster cycle and product adjustment
- Stainless steel exterior
- 6ft cord with Nema 5-15P plug
- Standard with service kit

DESCRIPTION
The robust, stainless steel MEGA T-420 vacuum packer is standard equipped with a Busch vacuum pump. The machine is ETL listed and complies with UL, CSA and CE standards.

OPTIONS AND ACCESSORIES

- Cut-off/Wide seal
- Inclined insert plate
- Food container adaptor
- Cart with castors and shelf



WARRANTY
Pack 3000 offers a warranty of 1 year on labor and 3 years on parts. For full warranty details, please refer to www.pack3000.com

DATE _____ APPROVAL _____



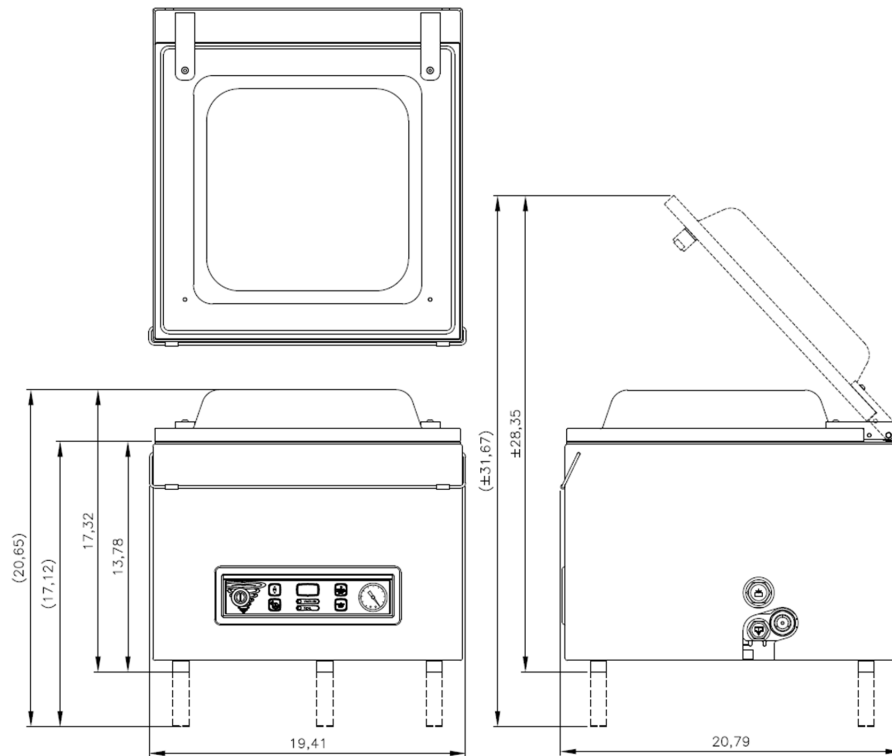
PACK 3000
Sales and technical support
sales@pack3000.com

VACUUM PACKING MACHINE MEGA T-420 – SPECS

VACUUM PACKING MACHINE MEGA T-420 – SPEC SHEET

DIMENSIONS

In inches



Model	Dimensions (IN)		Volts	Amps	Hz	Pump capacity	HP	Plug	Weight (lbs)
	Chamber (usable space) LxWxH	Machine LxWxH							
Mega T-420	14.5"x16.5"x7"	20.8"x19.4"x17.3"	110-120V	9	60Hz	678 cf/h (19 m ³ /h)	0.74	NEMA 5-15P	128

NEMA 5-15P



15 A/125 V



PACK 3000
Sales and technical support

sales@pack3000.com